

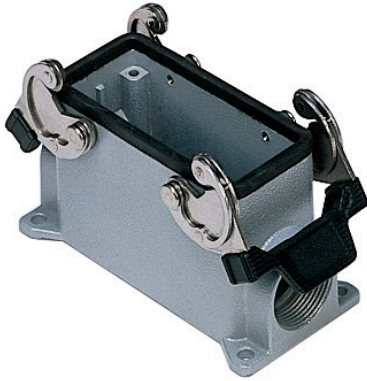
Part number

# CHP 16



## Brief description:

surface mounting housings with 2 levers, size "77.27", Pg21, metal version, IP66



### Product description

Version	metal version
Series	surface mounting housings with 2 levers
Product type	with 2 levers
Family	CLASS enclosures
Size	size "77.27"

### Technical data

Material	metal
IP degree of protection	IP66 (and IP69K DIN 40050 - 9)
Cable entry	Pg21

### Further technical details

Weight	343,00 g
--------	----------

### Approvals / Standards

Quality mark	 (type:4/4X/12),  , EAC
Conformity	CQC, CE

### General ordering information

EAN13 code	8015747022026
Tariff number	85369095

### Packaging Information

Packaging length	475,00 mm
Packaging height	180,00 mm
Packaging width	175,00 mm
Packaging weight	3,80 kg
Packaging volume	14,96 dm <sup>3</sup>
Packaging description	Carton box
Packaging quantity	10 Pcs
Packaging EAN code	8015747249386
Sub-packaging weight	1,90 kg
Sub-packaging description	Plastic packaging
Sub-packaging quantity	5 Pcs
Sub-packaging EAN barcode	8015747022040

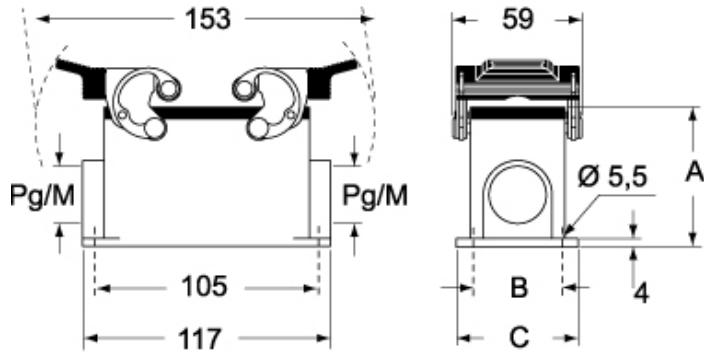
Part number

# CHP 16

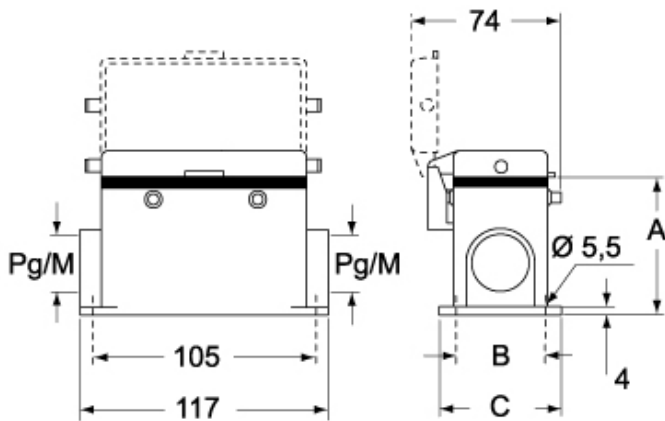


Catalogue drawings

## CHP CAP - MHP MAP



## CHP CS/CP CAP CS/CP - MHP CS/CP MAP CS/CP



	<b>A</b>
<b>CHP / MHP</b>	63
<b>CAP / MAP</b>	77
<b>CHP CS / MHP CS</b>	63
<b>CAP CS / MAP CS</b>	77
<b>CHP CP / MHP CP</b>	63
<b>CAP CP / MAP CP</b>	77